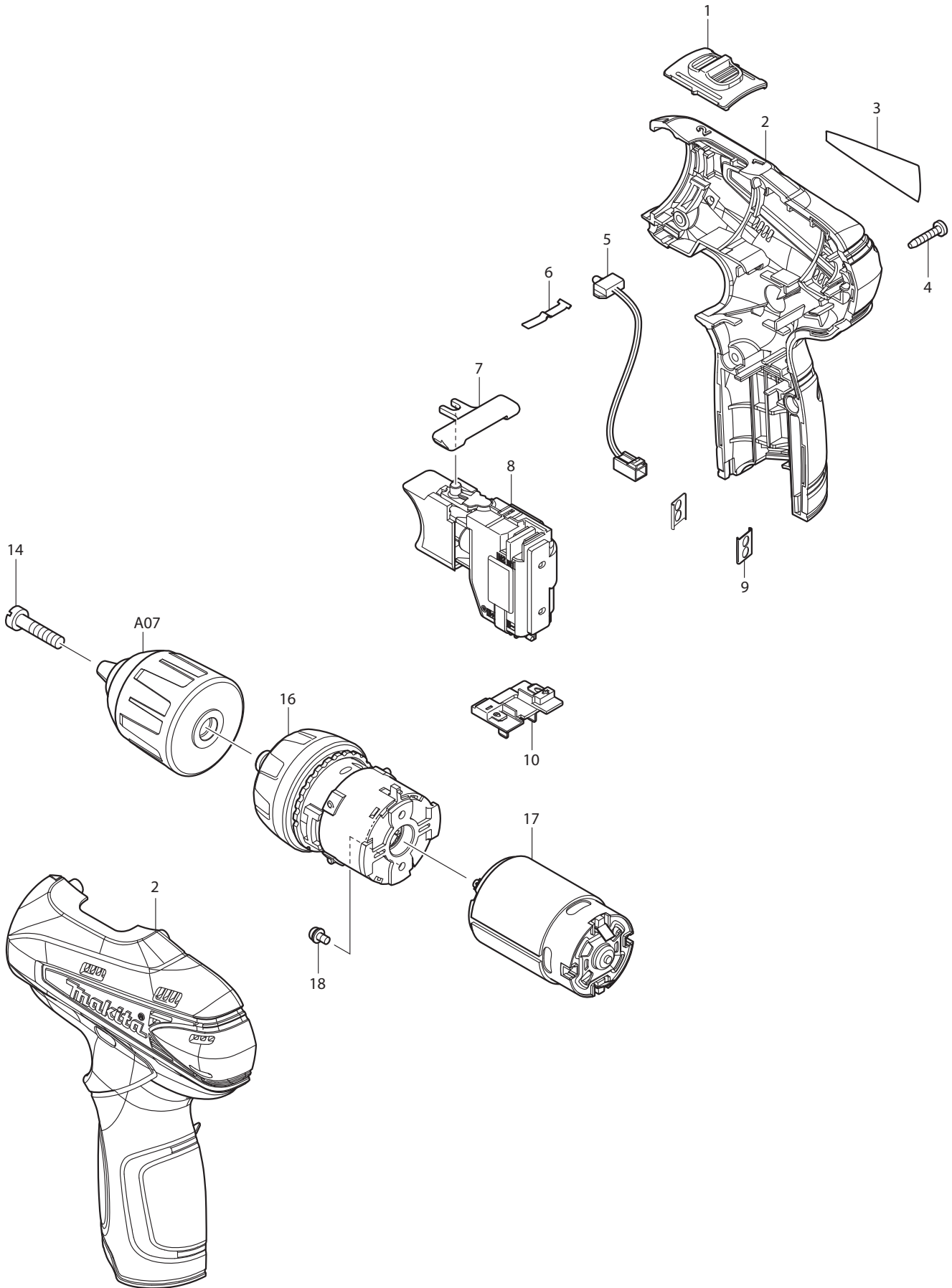




11 - 2010  
FD02 / FD02Z  
12V 3/8" DRIVER DRILL KIT



Item No	Type	Ref	Part No	Description	Qty	Unit
1	1		125461-4	SPEED CHANGE LEVER ASSEMBLY	1	PC.
		INC.	231433-0	COMPRESSION SPRING 4	2	PC.
	2		126233-0	SPEED CHANGE LEVER ASSEMBLY	1	PC.
		INC.	231433-0	COMPRESSION SPRING 4	2	PC.
2	1		188498-2	* HOUSING SET, BLUE	1	SET
	2		187147-8	* HOUSING SET, BLUE	1	SET
	3		187359-3	* HOUSING SET, BLUE	1	SET
3			868898-9	NAME PLATE, FD02	1	PC.
4			266130-9	TAPPING SCREW BIND PT 3X16	6	PC.
5			631813-4	* LED CIRCUIT	1	PC.
6			232239-9	LEAF SPRING	1	PC.
7			450504-6	F/R CHANGE LEVER	1	PC.
8	1		650599-1	* SWITCH C3HY-1A-LM	1	PC.
	2		650645-0	* SWITCH C3HY-1A-LF1M	1	PC.
	3		650699-7	* SWITCH C3HW-3A-LFIM W/BATTEY PROTECTION FUNCTION	1	PC.
9			345998-7	SET PLATE	2	PC.
10			643830-2	TERMINAL	1	PC.
14			251451-2	- PAN HEAD SCREW M5X22	1	PC.
16			125539-3	GEAR ASS'Y	1	PC.
17			629853-4	DC MOTOR	1	PC.
18			911003-8	PAN HEAD SCREW M3X6	2	PC.
19			892067-0	CAUTION LABEL, FR	1	PC.
C01			871605-1	CARTON F/FD02Z	1	PC.

#### **ACCESSORIES**

- See Catalogue or visit [www.makita.ca](http://www.makita.ca) for more accessorie information -

A01			168467-9	HOLSTER	1	PC.
A02			DC10WB	CHARGER DC10WB F/LI-ION 7.2, 10.8, 12V	1	PC.
A03			195332-9	12V MAX LI-ION BATTERY BL1014	2	PC.
A04			784244-7	+ BIT 2-50	1	PC.
A05			824781-0	PLASTIC CASE F/Storing small Accessory(ies)	1	PC.
A06			824842-6	PLASTIC CARRYING CASE	1	PC.
		INC.	417724-5	LATCH	2	PC.
			831325-9	TOOL BAG	1	PC.
A07	1		766007-3	3/8" KEYLESS DRILL CHUCK BULK	1	PC.
A07	2		196308-9	3/8" KEYLESS DRILL CHUCK PKG	1	PC.

**SERVICE CHANGES**

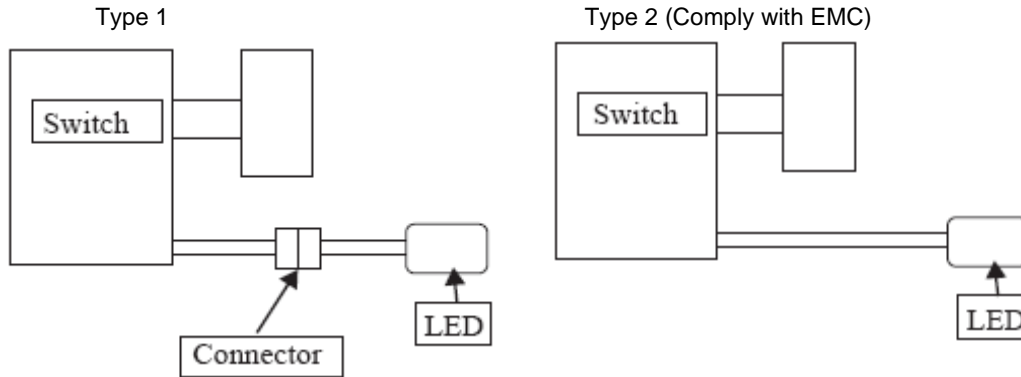
**1. Changes on Switch**

(T/I# 90876)

(T/I# 96587)

Item No.	Description	Type 1	Type 2	Type 3
5	LED CIRCUIT	631813-4		-----
8	SWITCH	650599-1	650645-0	650699-7 (W/Battery Protection)

Above parts are completely interchangeable as a set.



**NOTE:**

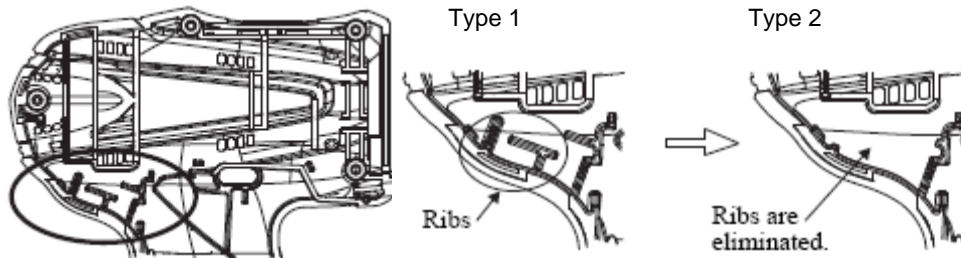
For the model manufactured on or after October 2012 using the switch with the number 6506997, be sure to use the Type 3 switch (650699-7) to repair the tool.  
 For the model manufactured before October 2012 using the switch with the number 6506450, be sure to use the current switch (650645-0) to repair the tool.

**2. Changes on Housing Set**

(T/I#91765)

(T/I#94907)

Item No.	Description	Type 1	Type 2	Type 3
2	Housing Set	188498-2	187147-8	187359-3



**NOTE:**

For the models manufactured with Type1 (before May 2011), use Type 1 Housing set to fix Connector to the inside of ribs.  
 For the models manufactured with Type2 or Type3 (after May 2011), use Type 2 or Type 3 Housing set.